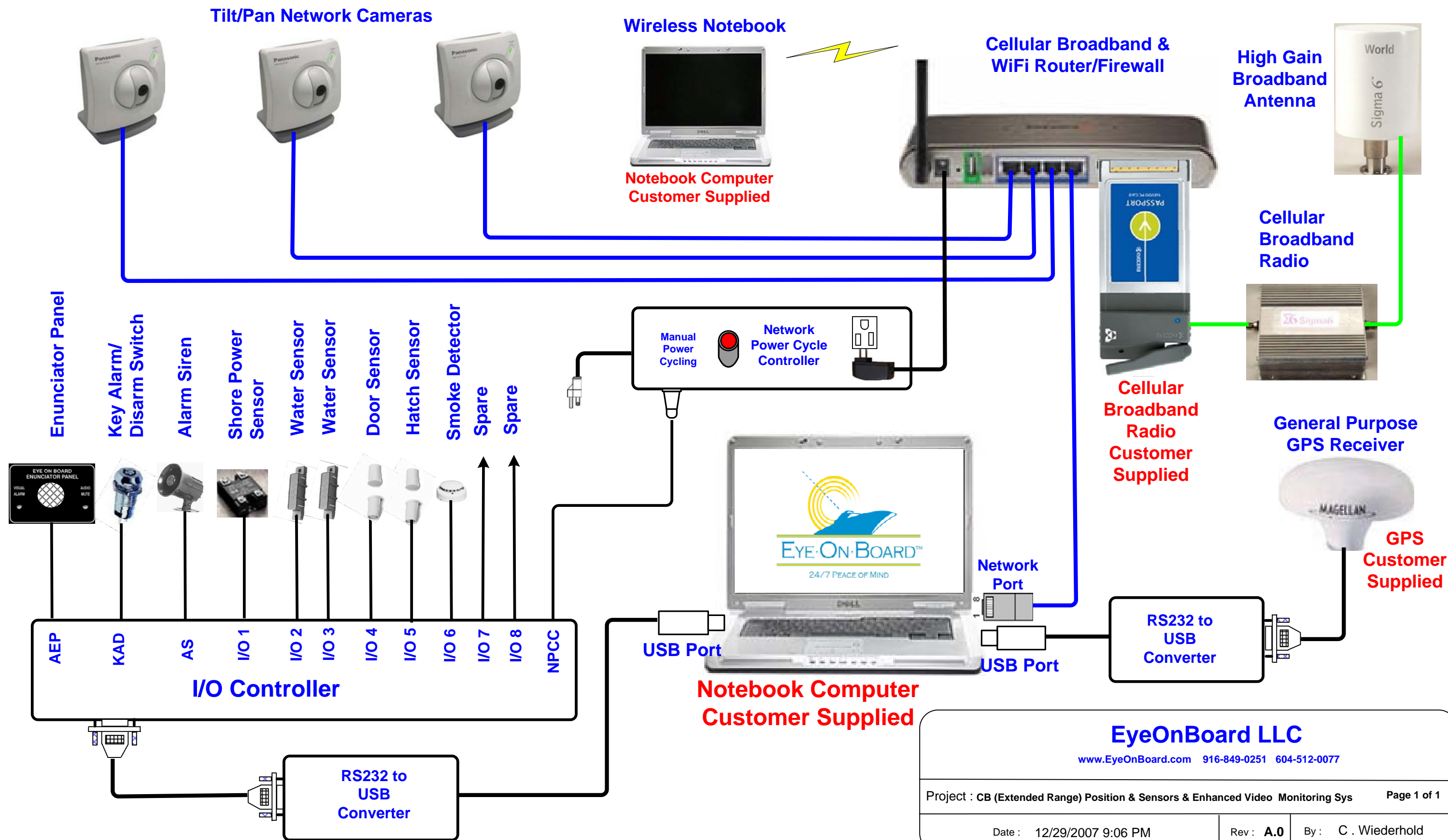


Cellular Broadband (Extended Range) Position & Sensor & Enhanced Video Monitoring System



EyeOnBoard LLC
www.EyeOnBoard.com 916-849-0251 604-512-0077

Project : CB (Extended Range) Position & Sensors & Enhanced Video Monitoring Sys Page 1 of 1

Date : 12/29/2007 9:06 PM Rev : A.0 By : C. Wiederhold